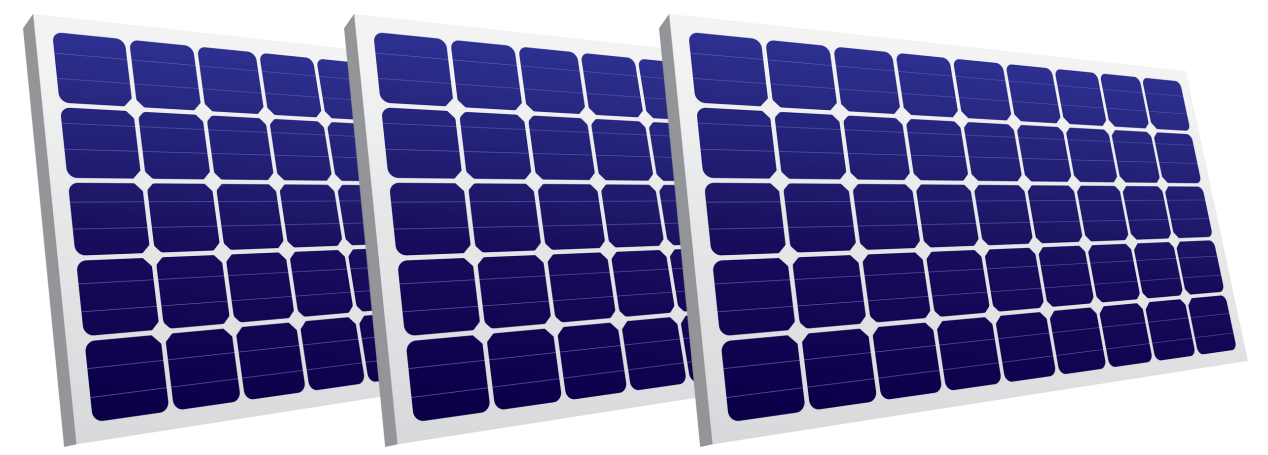
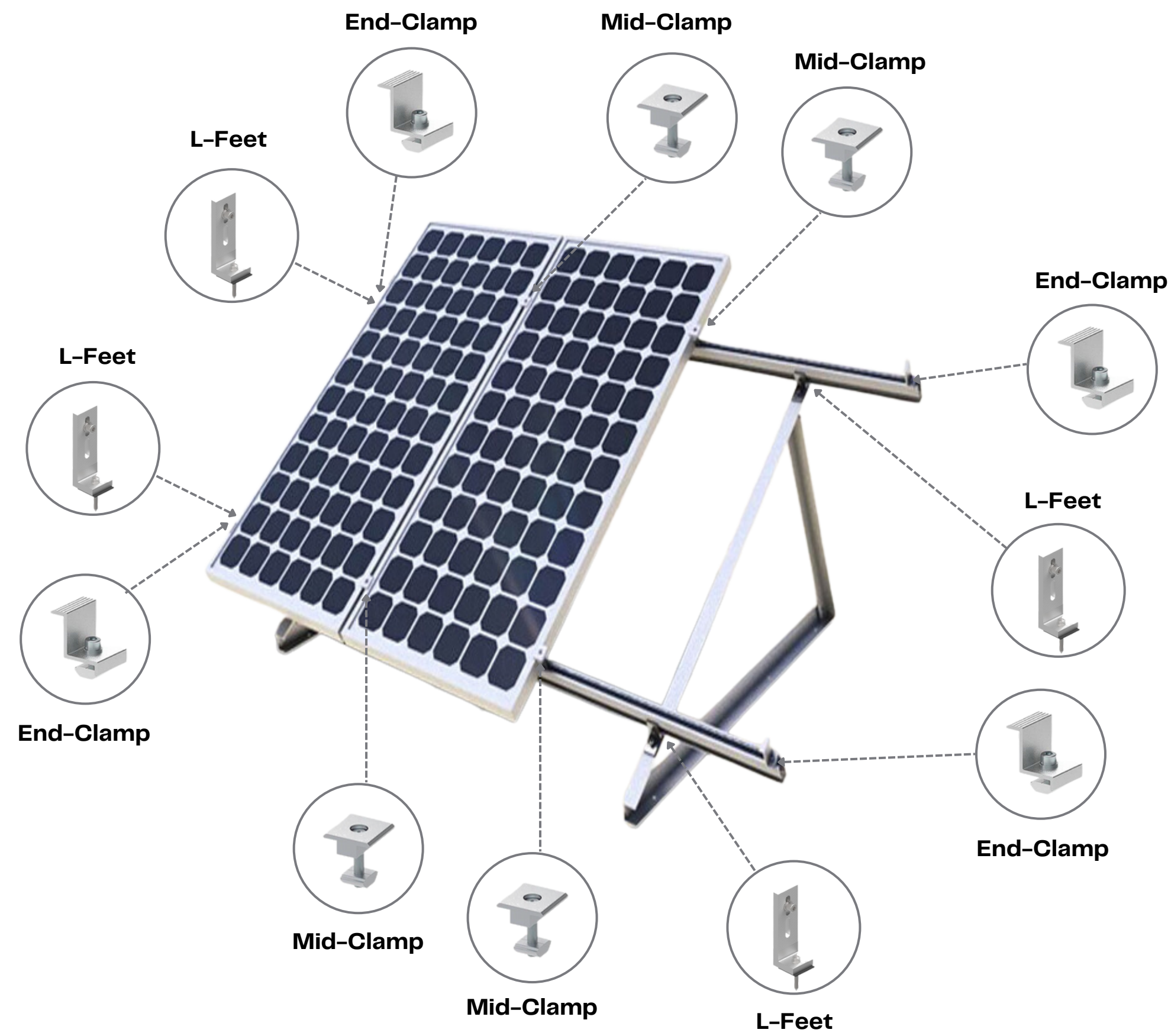
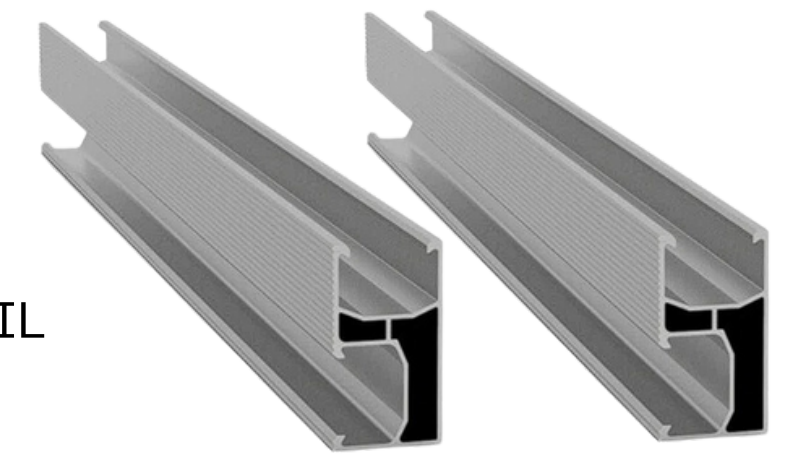


SOLAR SUPPORT FOR 3x300 W



SOLAR PANEL



RAIL



TRI - MOUNTING